



FUHR

uPVC

The system solution

www.fuhr.de

uPVC

The system solution



One material. One comprehensive product range. A whole host of benefits.

uPVC entrance doors are among the most popular exterior doors. The easy maintenance, the high energy efficiency, the design variety and the durability of the material are particularly appreciated. FUHR has developed

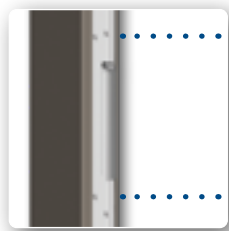
an optimal, systematised complete programme with innovative technical details and additions. This allows for increased efficiency in production, greater flexibility in the selection of components as well as a faster reaction



to market requirements. As a specialist for high-quality security systems, FUHR focused not only on the convenience and security requirements but also takes into account the technical production needs of the fabricators.

System solutions by FUHR. Simply a good idea.

Whichever components you choose, efficient processing is guaranteed because the cut-outs and screw holes are identical for all products.



Identical cut-outs and screw holes for all locking systems



Identical cut-out for use with an electric strike

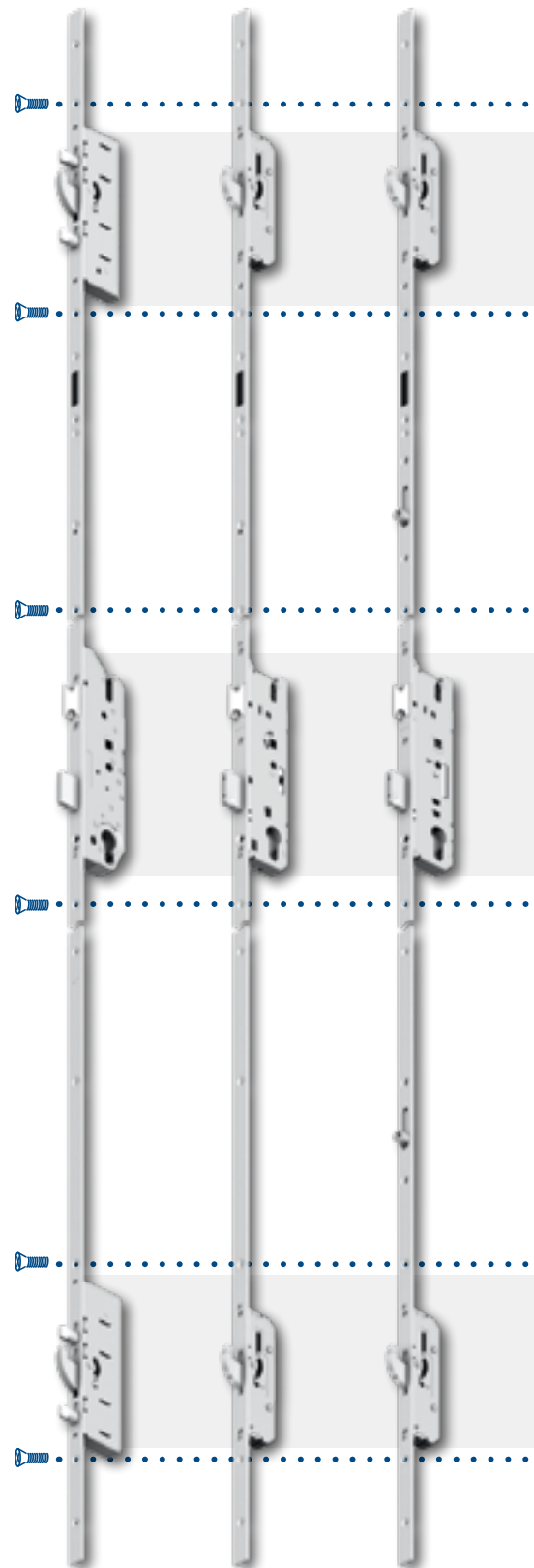


(multisafe_{855GL} (multisafe₈₅₆ (multisafe₈₅₉

Type 3,3/1,11

Type 3,3/1

Type 3,3/1

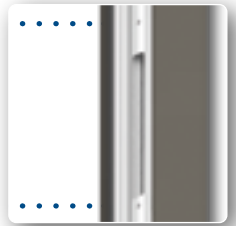
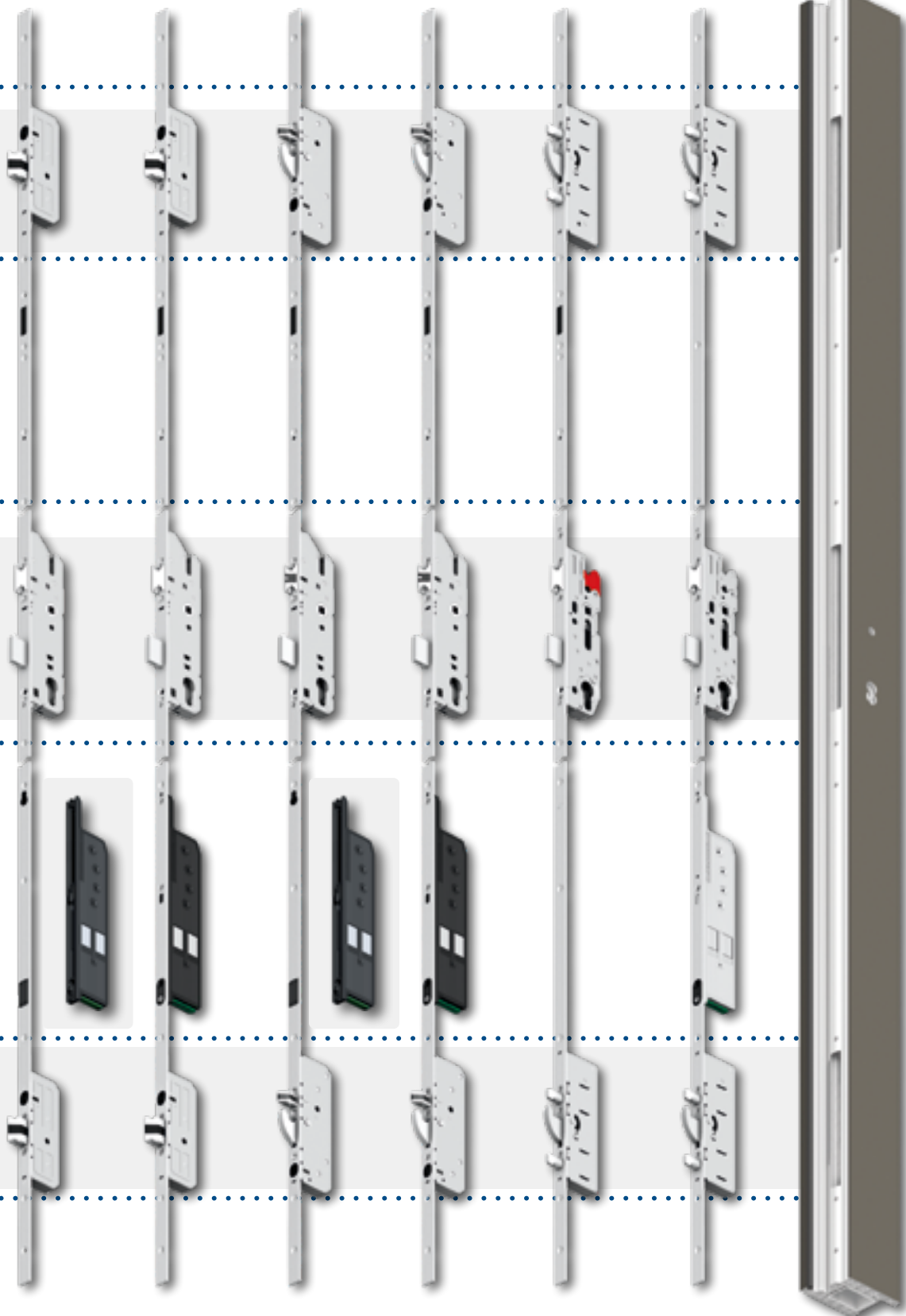


Benefits for you:

- ✓ Efficient production and warehousing
- ✓ Reliable production processes thanks to uniform components
- ✓ Flexible response to customer requests
- ✓ Durability due to high-quality materials
- ✓ Access to the complete data of the FUHR programme in common software solutions for door construction

(autosafe 833/833P (autotronic 834/834P (autosafe 835/835P (autotronic 836/836P (multisafe 870GL (multitronic 881GL

Type 4 Type 4 Type 10 Type 10 Type 11 Type 11



Identical cut-outs and screw holes for all locking systems and all lock types



Identical profile cylinder axis for all lock types

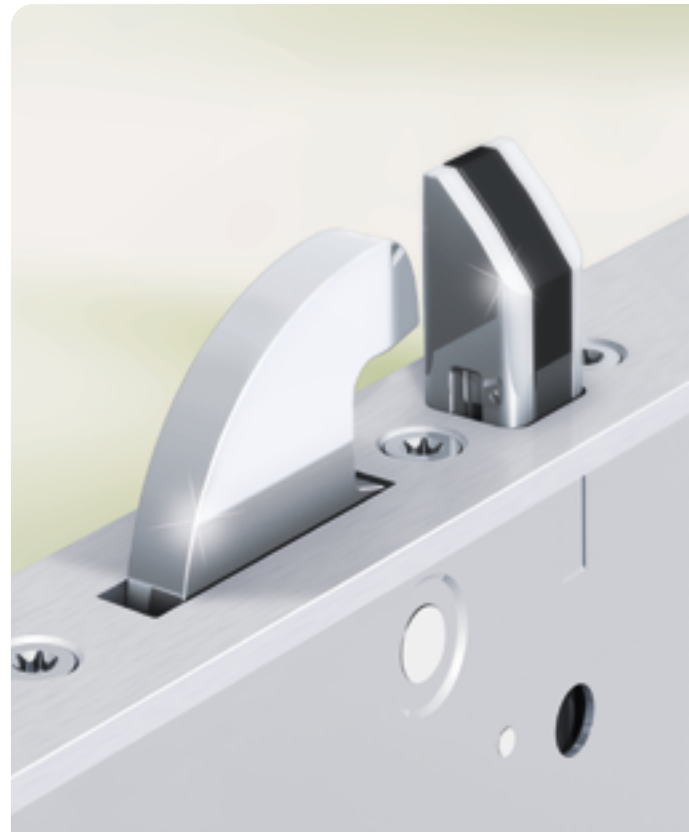
When it comes to meeting our customers' specific security needs, we've got a system.

Locking system	Type	Key operation	Lever operation	Automatic with deadlocking latch	Automatic with hook bolt	Motorised unlocking	Fully motorised	Panic EN 179/1125	Day latch function	Access restriction lock	Switching contacts	For renovation purposes
multisafe 803	Mortise lock	●										
multisafe 871	Mortise lock	●						●				
multisafe 855GL	Type 3, 3/1, 11	●										
multisafe 855R	Type 3, 8, 11	●										●
multisafe 856	Type 3, 3/1		●									
multisafe 859	Type 3, 3/1		●									
multisafe 870GL	Type 11	●						●				
autosafe 833	Type 4			●					○			
autosafe 833R	Type 4			●					●			●
autosafe 833SP	Type 4			●					○	●		
autosafe 833P	Type 4			●				●				
autosafe 833PK	Type 4			●				●			●	
autosafe 833P – double-leaf	Type 4			●				●				
autosafe 833PK – double-leaf	Type 4			●				●			●	
autotronic 834	Type 4			●		●						
autotronic 834P	Type 4			●		●		●				
autotronic 834PK	Type 4			●		●		●			●	
autotronic 834P – double-leaf	Type 4			●		●		●				
autotronic 834PK – double-leaf	Type 4			●		●		●			●	
autosafe 835	Type 10				●				○			
autosafe 835SP	Type 10				●				○	●		
autosafe 835P	Type 10				●			●				
autosafe 835PK	Type 10				●			●			●	
autosafe 835P – double-leaf	Type 10				●			●				
autosafe 835PK – double-leaf	Type 10				●			●			●	
autotronic 836	Type 10				●	●						
autotronic 836P	Type 10				●	●		●				
autotronic 836PK	Type 10				●	●		●			●	
autotronic 836P – double-leaf	Type 10				●	●		●				
autotronic 836PK – double-leaf	Type 10				●	●		●			●	
multitronic 881GL	Type 11						●	●				

● standard configuration ○ optional

Always prepared: we have a locking system for every door.

The FUHR security systems impress with effective and proven components for all requirements as well as an exceptionally wide range of lock variants. The reliable security of the locking systems is documented, among other things, by the VdS approval. Our panic locks are also certified according to EN 179 and EN 1125 and are manufactured in fire-resistant designs as standard. They are therefore perfectly suited for even the most demanding requirements for uPVC doors.



Type 3 and 3/1
Hook bolt with or
without roller cams



Type 4
Automatic
deadlocking latch



Type 10
Automatic latching
and hook bolts



Type 11
Hook bolt with
dual round bolts



autosafe 835/autotronic 836

The next generation of automatic locking systems.

The special combination of automatic latching and hook bolts uses the new **DuoSecure** mechanism and combines the benefits of proven technology and increased security. The two-step release of latching and hook bolts allows, among other things, improved locking performance in demanding thermal conditions or critical installation situations.



The special DuoSecure effect:
Where standard automatic locking systems reach their limits, autosafe 835 and autotronic 836 with type 10 locking system can lock safely and reliably.



Detailed information can be found in the special brochure.

Your benefits:

- ✓ Robust latching bolts for optimum locking sequence and tightness
- ✓ Even more security due to sturdy hook bolts
- ✓ The matching frame parts allows contact-free run of the hook bolt
- ✓ Secured against being pushed back in a number of ways
- ✓ Convenient opening with two-step opening process
- ✓ Full product range for every requirement: standard, motorised and panic locks (1- and 2-leaf)
- ✓ Flexibility on request by retrofittable motor drive



Radio access control systems. A wide selection for individual convenience.

A variety of state-of-the-art radio access control systems are also available for uPVC doors. They impress with highly convenient operation and reliability.

Another advantage: they can be easily connected to all FUHR motorised locks of the **multitronic** and **autotronic** series.



SmartConnect door

Compact video door intercom for operation via app – no matter where you are. Simple installation without complex wiring. With integrated touch door-bell, access control and SmartHome functions. Controls FUHR motor locks, garage doors, electric strikes, lighting and much more.



Radio fingerprint scanner multitronic go

Keyless biometric access control system with 2-channel technology for opening of, for example, front door and garage. With master radio key for convenient programming by remote control.



SmartTouch comfort access system

No more searching for a key – the SmartKey in your pocket is enough. The KeylessGo feature provides keyless opening comfort by a simple touch on the stainless-steel door handle. Alternatively available as activation sensor button.



Radio transponder reader

Easy way of opening doors and garage doors via transponder that only needs to be held in front of the reader. Set consisting of 2 master and 3 user transponders. With 2-channel technology.



Radio keypad

Can open door and garage door via two individually programmable 4- to 8-digit codes. With separate button for a radio bell.



Radio key

Remote opening with 4-channel technology, for example of front door, side door, garage door and driveway gates.

FUHR multipoint locking systems – our security promise.

For more than 160 years, FUHR has been known for its consistent focus on quality. This experience allows us to offer products of outstanding technical maturity which are capable of meeting the very toughest requirements. The innovative, forward-looking range of FUHR products for uPVC doors is no exception: it is technically diverse, extremely adaptable and ideal for integration into smooth, cost-effective assembly processes. The range was developed to ensure more security and convenience for users – and to ensure the success of your business.

Technical details

Faceplates

- **F 16, 20, 24 mm:**
 - 2170 mm – low
 - 2170 mm – standard
 - 2400 mm – high
- **U 24 x 6 mm:**
 - 1576 mm – low
 - 1790 mm – standard
 - 1990 mm – high
- Preconfigured for access restriction lock or additional bolt lock (833, 834, 835, 836, 855GL, 856, 859 – standard and high)

Centre/follower

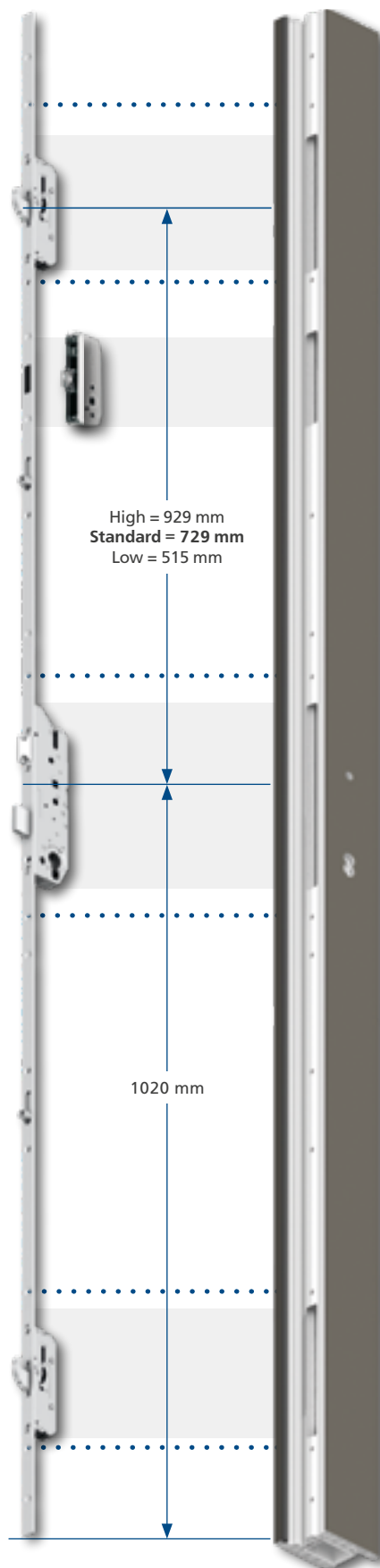
- 92 mm/8 mm
- 92 mm/9 mm – panic

Backsets

- 35, 40, 45, 50, 55 mm
- Further backsets available on request

Finish

- FUHR-Silver



The system idea pays off. For security and convenience – and for your business.

Retrofittable accessories. Plenty of solutions, zero extra effort.



Access restriction lock
for 855GL – restricts door opening, can be deactivated from the outside via the main lock



Access restriction lock
for 833, 834, 835, 836, 856, 859 – restricts door opening, can only be operated from the inside



Additional deadbolt lock
to provide an additional deadbolt independent of the main lock



Roller latch
for 803, 855GL – adjustable by up to 4.5 mm



Soft latch
for quieter closing of the door – very durable



Day latch function
optional version of 833 and 835 – allows the deactivation of the automatic secondary bolts



Extensions

for door heights up to 4000 mm, FUHR-Silver, can be shortened, Type 3 for 855GL/856/859, Type 4 for 833(P)/834(P), Type 10 for 835/836, Type 11 for 855GL



Retrofit motor
for **autosafe** 833/833P/833PK and 835/835P/835PK – retrofitting with **autosafe** 833TF and 835TF only in connection with a mechanical door strike without release lever



Radio receiver module
for 834/836/881GL – for receiving a radio signal to open the door – with no need for a separate control unit



End caps
for F16/20 mm faceplates – to ensure a clean appearance of the faceplate end in the profile

Type 3/1

Type 4/10/11

with access restriction

Type 3/1

Type 4/10/11

without access restriction



Type 4 magnet release
for one-piece strike plates
type 4/10/11



Adjustable (+/- 2 mm)
locking boxes, made
of coated metal



Type 10 magnet release
for one-piece strike plates
type 4/10/11



Adjustable (+/- 2 mm)
latch section



Contact magnet
for multitronic/
autotronic

Quality components from FUHR. Your profile deserves the best.

At FUHR, system competence is evident in every detail. For example, the FUHR complete range for uPVC doors can cover all locking types with just two one-piece strike plates. Even for solutions using the powerful **multitronic** and **autotronic** motor and automatic locks.

FUHR one-piece strike plates

Dimensions

- U 29 x 4.5 mm
- U 29 x 6.5 mm

Lengths

- 1523 mm – low
- 1737 mm – standard
- 1937 mm – high

Finish

- FUHR-Silver

Versions available

- Type 3/1
- Type 4/10/11 – preconfigured for contact magnet for use with FUHR motorised locks
- With integrated access restriction (standard and high)



FUHR inactive leaf locking systems for opposite Euro groove.

Type 3/1

(multisafe₈₄₅

The inactive leaf locking system **multisafe 845** impresses with a cost-saving, efficient installation – milling in the inactive leaf and false mullion is no longer necessary, nor is disassembly of the false mullion for installation. An adjustable latch section increases the tightness and reduces the processing costs, as there is no need to mill the front profile edge. Operation is simple: with just one lever, the stable shoot bolts simultaneously extend 20 mm to top and bottom.

Technical details

Versions available

- Suitable for locks type 3 and type 3/1

Inactive leaf locking system

- F 16 mm
- For door heights from
1722–1990 mm – low
1932–2200 mm – standard
2137–2400 mm – high

One-piece strike plates

- U 29 x 6.5 mm
- 1424 mm – low
1636 mm – standard
1836 mm – high

Finish

- FUHR-Silver



Adjustable (+/- 2 mm)
locking elements



Adjustable (+/- 2 mm)
latch section



Type 3/1

Type 4/10/11

(multisafe 843

The inactive leaf locking system **multisafe 843** is mounted in the main leaf and offers a harmonious door appearance due to the one-piece strike plate. An adjustable latch section increases the tightness and reduces the processing costs, as there is no need to mill the front profile edge. With the robust, high-quality folding lever, the stable shoot bolts simultaneously extend 20 mm to top and bottom.

Technical details

Versions available

- Suitable for locks type 3 and type 3/1
- Suitable for locks type 4, type 10 and type 11 – preconfigured for contact magnet for use with FUHR motorised locks

Design

- Latch section suitable for FUHR electric strikes

Inactive leaf locking system

- F 16/20 mm
- For door heights from 1706–2250 mm, can be extended by 200 mm

One-piece strike plates

- U 29 x 6.5 mm
- 1523 mm – low
- 1737 mm – standard
- 1937 mm – high

Finish

- FUHR-Silver

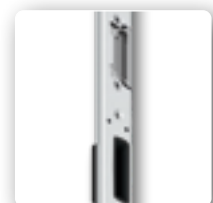


Type 4/10 magnet release

for system strike plates type 4/10/11



Adjustable (+/- 2 mm) locking boxes, made of coated metal



Adjustable (+/- 2 mm) latch section



Contact magnet

for multitronic/ autotronic

Quality components from FUHR. Your profile deserves the best.

Profile-specific strike plates, matched to the respective locking types, and optional accessories complete the range.

FUHR strike plates

Dimensions

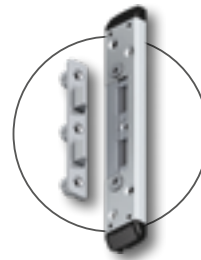
- U 29 x 4.5 mm
- U 29 x 6.5 mm

Finish

- FUHR-Silver

Further details

- Types 4, 10 and 11 use the same base strike plate



Dog bolts

Hinder unhinging of the door and enhance burglar resistance. Profile-specific versions, FUHR-Silver



Type 1



Type 3



Type 4



Type 4/10/11



Type 4 magnet release

for strike plate type 4/10/11



Type 10 magnet release

for strike plate type 4/10/11

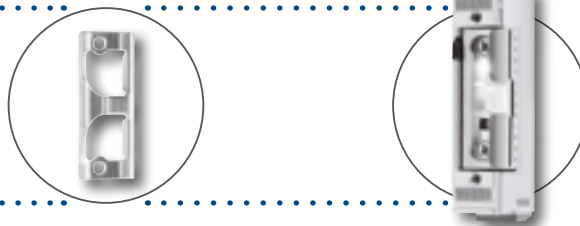


Multifunctional frame components: technical perfection for maximum flexibility.



Latch slide

for use with FUHR electric strikes – supplied in profile-specific designs



Electric strike

Symmetrical, with radius latch and unique latch section, 8 mm screw-on position, can be used on right or left, no reduced latch required, available in a wide range of designs



Deadbolt switching contact

Strike plate contact for monitoring whether door is locked or unlocked, e.g. for connection to an alarm or building management system, approved to VdS Class C, suitable for use with all FUHR standard and one-piece strike plates

Radio receiver for electric strikes

- Opens doors fitted with electric strikes remotely via radio signal
- Compatible with FUHR access control systems
- Works with FUHR electric strikes and all other standard door strikes
- Supplied with radio master key, uses highly secure rolling-code technology
- Compact design featuring stylish, slim, stainless-steel cover
- Concealed or visible installation in door frame
- Ideal for retrofitting





Type 4

Type 10



Safety in the kindergarten:
autosafe 833P with
double lever



FUHR solutions for emergency exit doors.

For when safe, reliable evacuation is needed – and fast.

FUHR offers a range of certified locking systems with an integrated panic function for sophisticated escape door constructions. They work flawlessly in emergency situations to provide an absolutely reliable means of escape.

FUHR emergency exit devices with an automatic multipoint locking system for single- and double-leaf emergency and panic exit doors are the safe choice.

- **autosafe** 833P/835P as automatic panic version
- **autotronic** 834P/836P additionally with motorised unlocking
- **autosafe** 833P in kindergarten design as automatic panic version with double lever and retrofittable motor

- ✓ Certified to EN 179 and EN 1125
- ✓ Double-leaf version with panic keep, switching lock and self-locking shoot bolt for the second leaf
- ✓ Fire safety version
- ✓ Panic function B or E
- ✓ No freewheel cylinder required
- ✓ Optional with controlled latch locking (function E)
- ✓ Optional with switching contacts (833PK/834PK/835PK/836PK – function E)



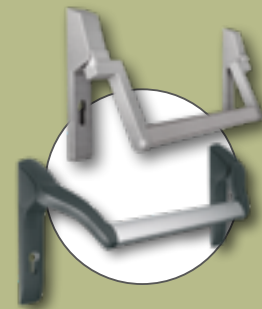
Carry bar

- For use on the right or the left
- For fitting on the inactive leaf
- Ground stainless steel



Panic fittings

Aluminium – combination and lever handle sets for emergency exit doors in accordance with EN 179 or external hardware in accordance with EN 1125



Panic bar hardware

Stainless steel or aluminium – for panic exit doors in accordance with EN 1125

For full details visit
www.fuhr.de

FUHR double-leaf locking systems. Door drive locks for the inactive leaf.

Door drive locks 970-990 series

For securing the inactive leaf of double-leaf doors.

- Various designs
- Lockable versions
- Different finishes



Rod strike plates

adjustable for maximum tightness

- Supplied in various profile-specific designs
- FUHR-Silver or KTL black



Rod guide

with spring-loaded plain bearing for best possible rod guidance

- Low-noise rod guidance
- KTL black

FUHR mortise locks. Ideal for passage doors.

Robust latch & deadbolt locks are ideally suited for securing passage doors. Their high-quality finish ensures reliable function and a long service life.

Faceplates

- F 16, 20, 24 mm
- U 24 x 6 mm

Centre/follower

- 92 mm/8 mm
- 92 mm/9 mm – panic

Backsets

- 35, 40, 45, 50, 55 mm
- Further backsets available on request

Finish

- FUHR-Silver

(multisafe
803

Latch & deadbolt mortise lock



(multisafe
871

Latch & deadbolt mortise lock
with panic function



- ✓ Certified to EN 179 and EN 1125
- ✓ Fire safety version
- ✓ Panic function D or E

For full details visit
www.fuhr.de

FUHR renovation lock range. Perfect for replacement and retrofitting.

FUHR renovation locks are the perfect replacement for existing multipoint locks on main and side entrance doors – regardless of the manufacturer. They are also the optimal solution for increasing the security of doors with a mortise lock.

With their three-part faceplate, they can be used variably and are ideal for replacement. The FUHR multipoint locks impress with their recognised quality features: security, reliability, durability.



Benefits for you:

- ✓ Multipoint locking system with 3-part faceplate and toothed racks
- ✓ Main lock case and faceplate can be ordered separately or pre-assembled – for maximum flexibility
- ✓ Suitable as a replacement for almost any multipoint locking system – independent of the manufacturer
- ✓ Ideal for increasing the security of doors fitted with a mortise lock
- ✓ Flexible cutting options
- ✓ Easy to cut to the desired size
- ✓ Variable distance between main lock and secondary locks
- ✓ Freely selectable handle height
- ✓ Non-handed
- ✓ FUHR-Silver or stainless-steel faceplate surface
- ✓ Wide range of designs

(autosafe
833R

(multisafe
855R



16, 20, 24 mm



24 mm



72, 85, 88, 92 mm



35, 40, 45, 50, 55 mm



CARL FUHR GmbH & Co. KG
Schlösser und Beschläge

Carl-Fuhr-Straße 12
D-42579 Heiligenhaus
Tel.: +49 2056 592-0
Fax: +49 2056 592-384
www.fuhr.de · info@fuhr.de



For more information on this product series, such as installation and accessories, please visit our website.